

Edition No. 4 2018 | 10th August 2018

TECHNEWS

technews@aquatherm.de



aquatherm

state of the pipe

Dear aquatherm partner,

The fourth issue of our e-newsletter has again many exciting topics for you! Learn more about BIGGEXCHANGE, the international symposium and networking event to be held at aquatherm in September.

You are active on LinkedIn and Xing? We are now as well! Further information will be provided below. Read also how we want to contribute to the reduction of plastic waste and therefore refrain from using pipe protection caps for pipes with diameters of 40 mm, 50 mm and 63 mm.

In order to offer you an even better service, a form for chemical resistance is now available on our website. Last but not least, the aquatherm green pipe elbow 20 mm is given a new design.

We hope you enjoy reading!

Dirk, Maik und Christof Rosenberg

Edition No. 4 2018 | 10th August 2018

TECHNEWS

technews@aquatherm.de



aquatherm

state of the pipe

INTERNATIONAL SYMPOSIUM AND NETWORKING EVENT FOR LEADERS IN THE CONSTRUCTION AND HVAC INDUSTRIES

Whether digitization, climate change, sustainability, demographic change, urbanization or infrastructure - they all belong to the mega trends that will profoundly change our world. How can we meet these future challenges? The BIGGEXCHANGE event will bring together leaders in the construction and HVAC industries to discuss these questions, show potentials for development as well as solutions. Host of the international symposium and networking event is aquatherm. The event will take place at its headquarters in Attendorn.

16 lectures from experts from architecture and planning to science and industry to IT and communication are scheduled. They will provide insights into actual trends and practical recommendations for your business. The bilingual conference is designed for investors, architects, planners, engineers, entrepreneurs and distributors. All lectures will be simultaneously translated into English and German respectively.

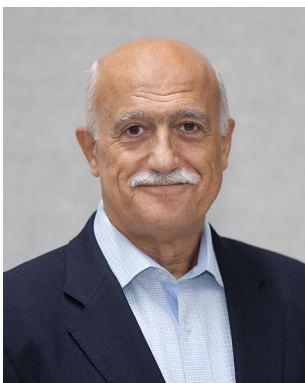
aquatherm could win top-class speakers from Germany and abroad for the symposium. One of them is David Chua Kim Hat, professor at the department for building and environmental engineering at the Singapore National University. In his presentation he will show how BIM (Building Information Modeling) can help to significantly reduce building time and costs by increasing total productivity during construction. Manfred Lippe, one of the leading experts in building fire protection in Germany, will share information about the interaction between building construction and building fire protection.

The participants can look forward to many more interesting speakers like Matthias Horx, one of the most influential trend researchers, professor Brian Cody, the head of the faculty for building and energy at the Graz technical university or Arab Hoballah, one of the leading experts in the field of sustainability. The various topics will be discussed in depth in panel discussions together with the participants.

For more information on the event, speakers and registration, please visit www.bigexchange.com.

The deadline for registration is August 26, 2018.

Some of the speakers:



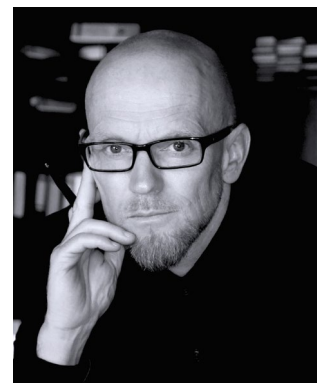
Arab Hoballah
Climate Change and Resource Efficiency, the Sustainable Building Engine



Professor David Chua Kim Hat
Design for Manufacture and Assembly with BIM



Manfred Lippe
The protection of buildings against fire – a challenge for planners and craftsmen



Brian Cody
Form follows Energy – Maximizing Building Energy Performance Using Natural Forces



11.-13. SEPTEMBER 2018

ATTENDORN | GERMANY

Edition No. 4 2018 | 10th August 2018

TECHNEWS

technews@aquatherm.de



aquatherm

state of the pipe

FOR ECOLOGICAL REASONS: PIPE PROTECTION CAPS WILL BE ELIMINATED AS OF MID-SEPTEMBER

In order to contribute to the reduction of plastic waste, the pipe protection caps for pipes with diameters 40, 50 and 63 mm will be eliminated as of mid-September. The caps are used only once and must be disposed after the pipe delivery at the construction site. With that step, aquatherm will dispense with approximately 1.8 million caps per year, which equals a reduction of around 8.5 tonnes of plastic waste annually.

At a later date, the pipe protection caps for pipes in the dimensions 20, 25 and 32 mm will be omitted as well.

At aquatherm we are convinced that consistently practiced environmental protection is an important component of our long-term corporate success. We consider ecological commitment, economic success and social responsibility as equal goals. That is why we have introduced an environmental management system according to DIN EN ISO 14001 and an energy management system according to DIN EN ISO 50001.

The importance of environmental commitment is made clear by new figures from the United Nations: According to an estimation, by 2050 more plastic waste could swim in the oceans than fish. Reducing plastic waste as much as possible is therefore a logical step for us.



DESIGN CHANGE FOR ARTICLE 0012308 AQUATHERM GREEN PIPE ELBOW 90° - 20 MM

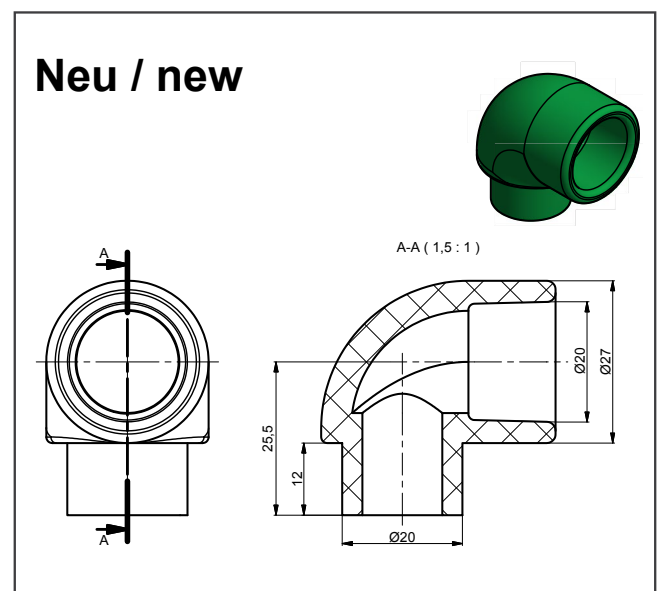
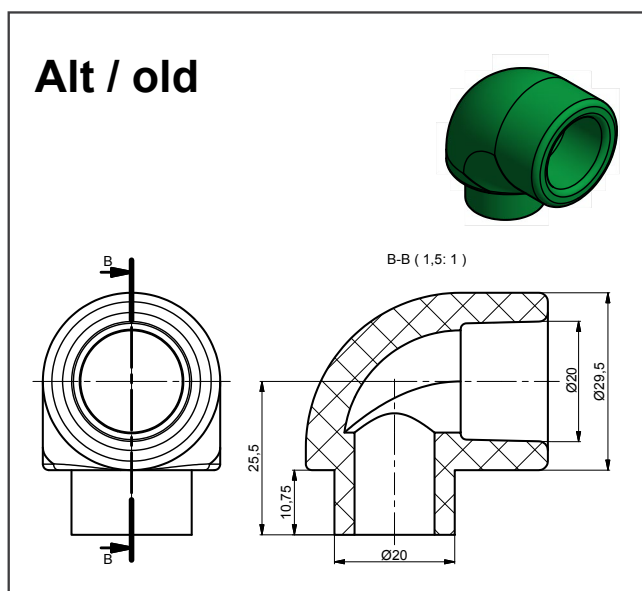
From the time of origin of the piping system „fusiotherm“ (today aquatherm green pipe) comes the design of some fittings for smaller dimensions developed for pressure stage PN25. Besides the socket in 20 mm dimension (art.no. 0011008, see TechNews 3/2018) the elbow 90°, 20 mm belongs to this group.

The latest injection moulding tool for the elbow 90°, 20 mm now has been finished according to state of the art. As a result, the wall thickness of the fittings is slightly thinner. The Z-dimensions remain unchanged.

Of course, this alteration has no negative effect on the conditions of application. The pressures and temperatures of the operating pressure tables shown in the catalogue can be applied as usual.

The improvements in design and tooling ensure that we can continue to offer competitive pricing in the future.

The changeover to the new version will take place as soon as the current stocks are sold off. The current – then old version- will then no longer be available. As a consequence of the volume change, the packaging per carton increases from 1,200 to 1,400 pieces.





FORM FOR CHEMICAL RESISTANCE

From now on, a form for chemical resistance is available on our website.

http://www.aquatherm-pipesystems.com/fileadmin/template/img/4.%20Service/chemische_Widerstandsfahigkeit.pdf

You can fill in this interactive PDF digitally and send your request directly to our laboratory by e-mail.

CHEMICAL RESISTANCE

Due to their special material properties aquatherm green pipe resp. aquatherm blue pipe and fittings are generally chemical resistant. However, aquatherm green pipe transition elements with thread inserts made of brass are not suitable for all media.

For industrial application of aquatherm green pipe and aquatherm blue pipe we recommend to use aquatherm green pipe flanges and/or coupling screws.

Note: On request, you will receive threaded inserts for aquatherm green pipe connecting pieces also in stainless steel. Prices on request.



aquatherm
state of the pipe

INQUIRY FOR THE CHEMICAL RESISTANCE OF THE AQUATHERM GREEN PIPE AND AQUATHERM BLUE PIPE SYSTEM:

aquatherm GmbH
Technical department
Biggen 5 · D-57439 Attendorf
Phone: +49 (0)2722 950-0 · Fax: +49 (0)2722 950-100
E-mail: info@aquatherm.de · www.aquatherm.de

Installer:

Company

Contact _____
Street _____
PC/City _____
Phone _____
Fax _____
E-mail _____

Building project:

Address:

Street _____
PC/City _____

Place, Date/Signature

Field of application:

Flow medium

Operating temperature _____ °C/°F
Working pressure _____ bar/psi
Service life _____ h/d
Concentration _____ %

Ambient medium:

Ambient temperature _____ °C/°F
Ambient pressure _____ bar/psi

Data sheets enclosed not enclosed

Fluid transported	<input checked="" type="radio"/>	<input type="radio"/>
Ambient medium	<input type="radio"/>	<input checked="" type="radio"/>



AQUATHERM EXPANDS ITS SOCIAL MEDIA PRESENCE WITH LINKEDIN AND XING

Over three billion people, about 40 percent of the world's population, use social media to exchange with others and share content. These figures can be found in a study published by the international digital agency „We Are Social „, headquartered in London. And all signs point to further growth. Leader is Facebook with over two billion active members. But other social networks are on the rise.

aquatherm has been active on Facebook for about a year. Now, the family company expands its social media presence to LinkedIn and Xing:

www.linkedin.com/company/aquatherm-gmbh/

www.xing.com/companies/aquathermgmbh

LinkedIn is a social media website mainly used for professional networking. With over 500 million users in more than 200 countries it is the largest platform of its kind and is among the 20 most visited websites of the world. More than 11 million people use LinkedIn in German-speaking countries.

Xing also provides a platform for business contacts but is limited to German-speaking countries. The social network has around 14 million members.

aquatherm shares on both platforms latest company news. The spectrum of topics ranges from extraordinary reference projects to exciting insights into the everyday business life up to job advertisements, awards and investments.

The international symposium and networking event BIGGEXCHANGE (September 11-13, 2018, aquatherm headquarters) is represented in the two networks with own pages featuring the latest news before, during and after the event:

www.linkedin.com/showcase/bigexchange/

www.xing.com/events/internationales-symposium-netzwerkveranstaltung-1936651

We are looking forward to many comments and likes!

